



Small frame case

- cost-effective
- variable width/height/depth

Application:

For 2 lab cards or customised electronic components

Construction:

This simply constructed case consists of 4 aluminium edge pieces, 4 facing panels and 2 top panels. The aluminium extrusions have grooves for holding 2 euroboards.

Finish:

Front/rear panel and sections:
anodised aluminium
Cover panels:
RAL 7035 light grey

Protection system: IP 40

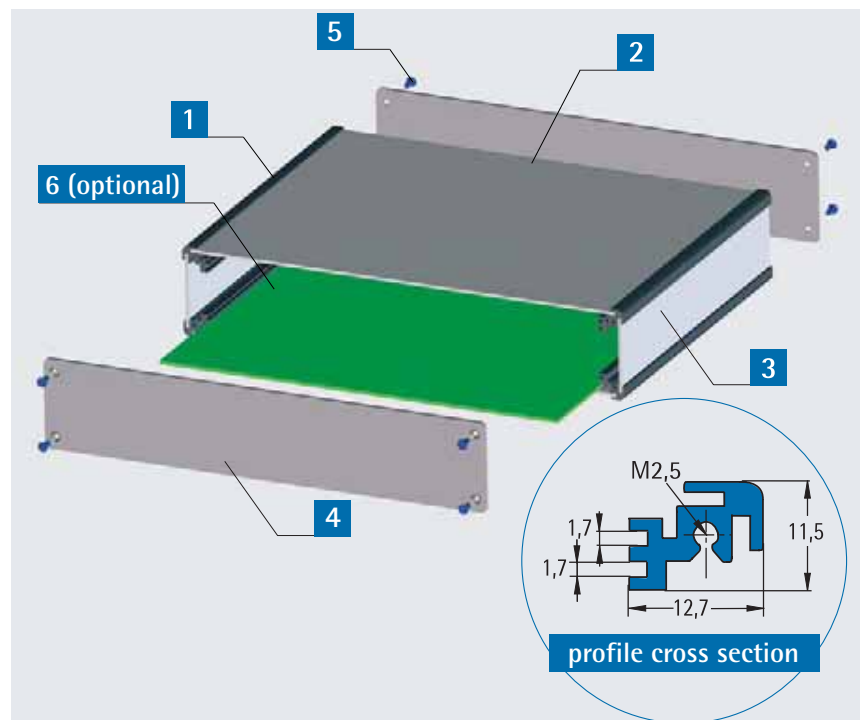
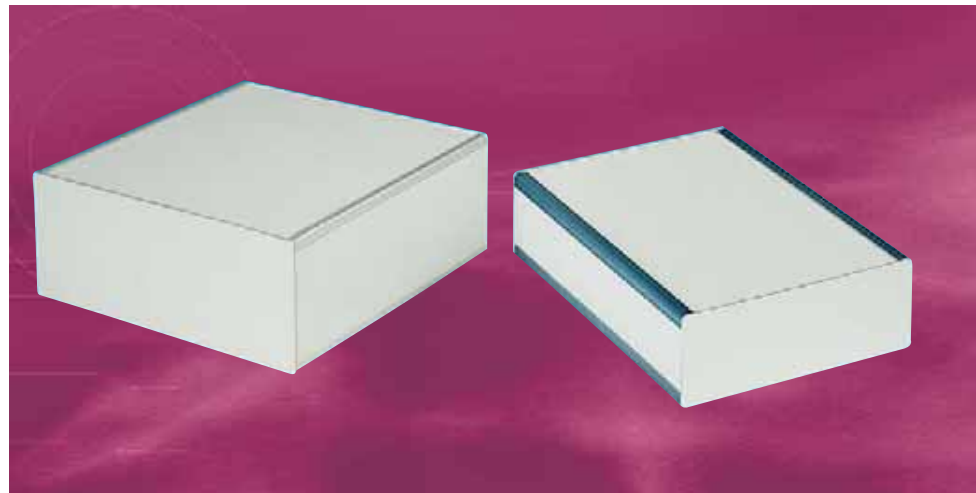
Delivery: not assembled

The front/rear panels can be pre-punched for plug or cable entry depending on your specifications.

Included in delivery

Item	Pc.	Description
1	4	Extrusions
2	2	Cover panel 1
3	2	Cover panel 2
4	2	Front/rear panels
5		Assembly material

Note:
Please order chassis panel 6 separately.



Order information case and chassis panel

Dimensions		Case		6 Chassis panel	
Case width W mm	Case height H mm	D = 166,6 mm effective installation dim. w x d = 197,8 x 162,6 mm	D = 226,6 mm effective installation dim. w x d = 197,8 x 222,6 mm	for cases D = 166,6 mm	for cases D = 226,6 mm
220	44	414-101	414-111	414-151	414-161
220	88	414-103	414-113		

Order information case and chassis panel, fit for euroboards 100 mm x 160 mm and 100 mm x 220 mm

Dimensions		Case		6 Chassis panel	
Case width W mm	Case height H mm	D = 166,6 mm for cards 100 x 160	D = 226,6 mm for cards 100 x 220	for cases D = 166,6 mm	for cases D = 226,6 mm
122,2	44	414-105	414-115	414-153	414-163
122,2	88	414-106	414-116		